



LEOPARD SHARK
w/seat

Owner's Manual

Important Note To Parents About Safe Riding

Your child's safety will depend on your commitment to always provide a safe riding environment and a properly maintained vehicle. As with any moving vehicle there are possible safety risks; be sure to heed to the following precautions.

1. Always equip your child with suitable protective gear and riding apparel. Be sure he or she always wears a helmet, over-the-ankle footwear, eye protection, long pants, and a long-sleeved shirt while riding.
2. Never allow your child to carry a passenger. This scooter is designed for an OPERATOR ONLY.
3. This scooter is designed to be operated only on flat, paved surfaces, never operate off-road.
4. This scooter was not designed for racing or performing tricks.
5. Always obey local laws and regulations for operating scooters.
6. You, the parent (and most likely "riding instructor/mechanic" as well), must be familiar with scooter controls and maintenance requirements plus riding techniques. Read and understand the owner's manual provided with the scooter. Review all instructions and warnings with your child.
7. You must determine your child's readiness to ride this scooter. Your child should already be familiar with scooter controls (location and function) and basic riding techniques. Your child should also be physically large enough, and strong enough to be able to hold up the scooter, plus be able to pick it up if it is on its side.
8. Your child's safety depends in part on the good mechanical condition of the scooter. Be sure to follow the maintenance and adjustment requirements contained in this manual. Be sure your child understands the importance of checking all items thoroughly before riding the scooter. Also, familiarity with the scooter is important should a problem occur far from help.
9. Do not allow your child to ride unsupervised. He or she should always ride in the company of an experienced adult.
10. Encourage your child not to ride beyond his or her skill level or faster than conditions safely allow. Have them practice advanced riding maneuvers under controlled conditions.
11. Make sure that your child tells someone where they are planning on riding and when they intend to return. Discuss the ride with your child before you leave so he or she will know in advance what riding techniques may be necessary to navigate safely.

Safety Precautions

1. Review all the instructions carefully before operations.
2. Follow all rules and regulations in your area for operating an electric scooter.
3. Do not allow others to use the scooter without proper instructions.
4. Ride only in good weather, on smooth surfaces.
5. Remember to **always** operate your scooter with the proper safety gear and helmet.

Operating Points

1. Turn the power switch to the **ON (|)** position before starting the scooter.
2. Push starting the scooter will prolong the life of motor and battery. Always push start the scooter before applying power.
3. Release the throttle before braking. Do not apply the throttle while brake is on.
4. Do not ride the brake.
5. The scooter works best on level ground; use caution while going up an incline, excess climbing will limit the life of the battery.
6. Charge the battery at least once every 90 days. To prolong the life of the battery discharge the battery every 90 days.
7. Do not leave your scooter in direct sunlight for extended period of time.
8. Operate your scooter only in good weather; using your scooter in rain, snow, or other precipitation may result in damaging your scooter.
9. Obey the laws in the city that you are operating your scooter in.
10. You assume all responsibility while operating your scooter; the seller will assume no liability for misuse or operator negligence.

Driving Operations

1. Inspect the scooter overall condition, tire pressure, and brake prior to operating you scooter.
2. Turn the power switch to “On” position and check to make sure that the indicator light is illuminated.
3. Push start with one foot on the deck and one on the ground to push.
4. Engage the throttle by gradually accelerating to cruising speed.
5. Release the throttle to stop, before braking.
6. Look to make sure that your pathway is clear and safe for others to pass.
7. Do not ride your scooter in the street or on the sidewalk, stay in the bicycle lane.
8. Obey all laws in your area.
9. Walk your scooter across traffic and in left turn lanes.
10. Do not operate your scooter in bad weather.
11. Only one person on board at a time.
12. Do not jump curbs, do tricks, or ride on one wheel.
13. When stopping use the brake without turning the throttle.
14. Turn the power off at the end of the ride.

Technical Specifications

Motor:	400W
Battery:	24V (12Vx2) 12Ah
Life of Battery:	300 Charges
Charger:	110V-60Hz (UL)
Charging Time:	6-8 Hours
Distance per Charge:	12 miles
Rated Top Speed:	16 MPH
Climbing Capacity:	20 degree of incline
Wheels:	8" Pneumatic Rubber Tires
Max Capacity:	220 pounds
Net Weight:	63 pounds (including battery)
Gross Weight:	68 pounds



List of Parts

- A- Handle Bar
- B- Grips
- C- Front Fork
- D- Front Wheel
- E- Power Switch
- F- Kickstand
- G- Rear Wheel
- H- Deck
- I- Quick Release/Knob
- J- Hand Brake
- K- Throttle
- L- Seat

Items not shown:

- Controller
- Batteries
- 600W Motor
- Brake Pad
- Charger
- Chain
- Tubes
- Tool Kit

Assembly Instructions

1. Carefully take your scooter out of the box.



2. Assemble the Handle Bar.
 - a. Remove the star screw from the base of the Handle. Make sure not to lose the washers.
 - b. Lift Handle Bar into upright position and tighten star screw.



- c. Unscrew the bolts on the 'T' of the Handle Bar and place the Grips into the Handle Bar and screw in the bolts to secure the grips.



3. Seat Assembly

- a. Install the seat post into the seat post bracket located on both sides of the scooter.



- b. Insert the bolt and nut, tighten to secure.



4. Turn the Power Switch to the on position. A green light will appear indicating a full charge.

5. Before operating your scooter check the following to make sure they are secure and intact:

Tires	Check for wear, that the bolts are securely fastened, tire pressure is 85 PSI, and that they are in alignment.
Throttle	While the scooter is Off (O) apply the Throttle and release; check to make sure that the Throttle springs back to stop after you release it.
Handle Bar Cables	Check to make sure that all cables are intact and that there is not visual damage to the cables.
Front Fork	Check for visual damage; make sure that all bolts are securely fastened.

6. The most important thing to remember is to have FUN and be SAFE!

7. Charging

1. Power Switch must be in the 'off' position.
2. Do not plug the charger into the outlet first, for safety reasons plug the charger cord into the scooter first, then into a 110 V outlet.
3. Charge your scooter for 6-8 hours. The LED will be red during charging and once it is fully complete the LED will turn to green.
4. Do not overcharge you battery this may limit the life of your battery. Unplug after 8 hours to avoid overheating.
5. Charge unit when a yellow or red light appears and every 90 days.



Battery Instructions

1. Battery is sealed lead acid; if there are any cracks or leaks in the battery, change the battery and dispose of according to the laws in your area. Do not touch battery solution, if you do flush the affected area with water. If you must come in contact with battery wear gloves.
2. Change the battery if there are any leaks, visible breaks or cracks.
3. Dispose of the battery according to your state and local laws.

Fold Handle Bars Down

1. Unscrew the Handle Bar Quick Release.
2. Lay the Handle Bar down on top of the deck.
3. To protect the Grips from potential damage unscrew the bolts on the 'T' of the Handle Bar and lay the Grips down.

Removing Seat

1. Unscrew the nut and bolt on both sides of the scooter.
2. Remove the seat from the brackets on the base of the deck. Do not loose the nuts and bolts.

Maintenance

1. Inspect your scooter before every use; check the brake, throttle, drive belt, and tires. Make sure that all parts are in working order and are not damaged.
2. Clean your scooter regularly by wiping it down with a damp rag.
3. Lubricate the front and rear axle with WD-40. Do not lubricate the Bearings.
4. Lubricate the chain with chain grease that you can find at your local bicycle shop. Do this once every month.

Change the Rear Tire

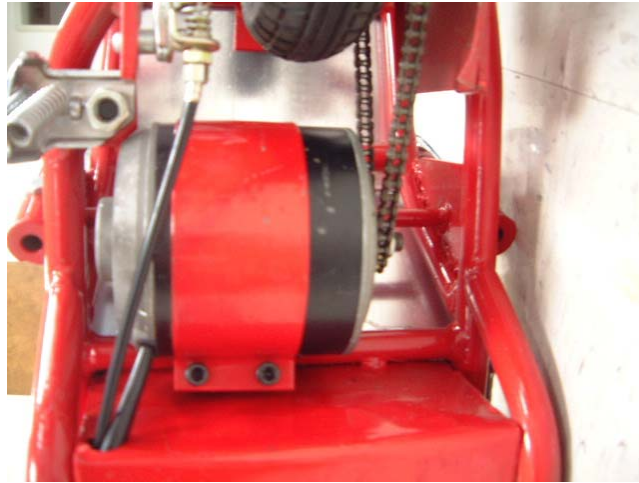
- Tools Required:
 - Phillips screwdriver
 - 8mm wrench
 - 2 x 17mm wrench

Step	Description
1	Ensure power switch is in the "off" position before beginning any work on the scooter.
2	Remove screw holding brake shield in place located next to the left side of the rear tire. This bolt connects the brake shield to the frame. There is also a Phillips screw on the opposite side of this bolt.
3	Remove the axle bolts located on both sides of the rear tire.
4	Loosen the brake adjustment bolt. Do not completely remove this bolt. It should loosen to the point where the line traveling through the "brake spring" can be removed. Next remove the chain from the tire sprocket. Once this has been completed, the rear tire and hub can be removed from the scooter.
5	Let all of the air out of the tire. Next, remove the Allen bolts from the rim of the tire. The rim will split into 2 pieces. Once apart, replace the old tire with the brand new tire you have just received. Reassemble the rim back onto the tire.
6	Place the brake shield back on the wheel's axle. Then place the two $\frac{3}{4}$ " washers on the axle.
7	Insert the "L"-shaped bracket onto the brake shield. The hole for this bracket is located farthest from the wheel axle on the bracket itself. The bracket should be placed on the "tire-side" of the shield (as opposed to the outer side). (Wheel shown as removed to better display "L"-shaped bracket). Next, place the brake spring back into its original setting.
8	Insert the brake line through the "L"-shaped bracket and through to the brake adjustment bolt. Pull the line tighter to get a "stiffer" brake response. Please test the brake at low speeds before using. If your brakes are too tight, loosen the adjustment bolt once again and adjust the brake wire accordingly.



Change the Motor

Step	Description
1	Remove the deck.
2	Disconnect the motor wires.
3	Unscrew the 2 bolts that secure the motor, as pictured below, and remove the motor.



Adjust the Chain

Step	Description
1	Loosen axle bolt.
2	To tighten chain, turn the 8mm nut on the eyebolt clockwise
3	To loosen the chain, turn the 8mm nut on the eyebolt counter clockwise.



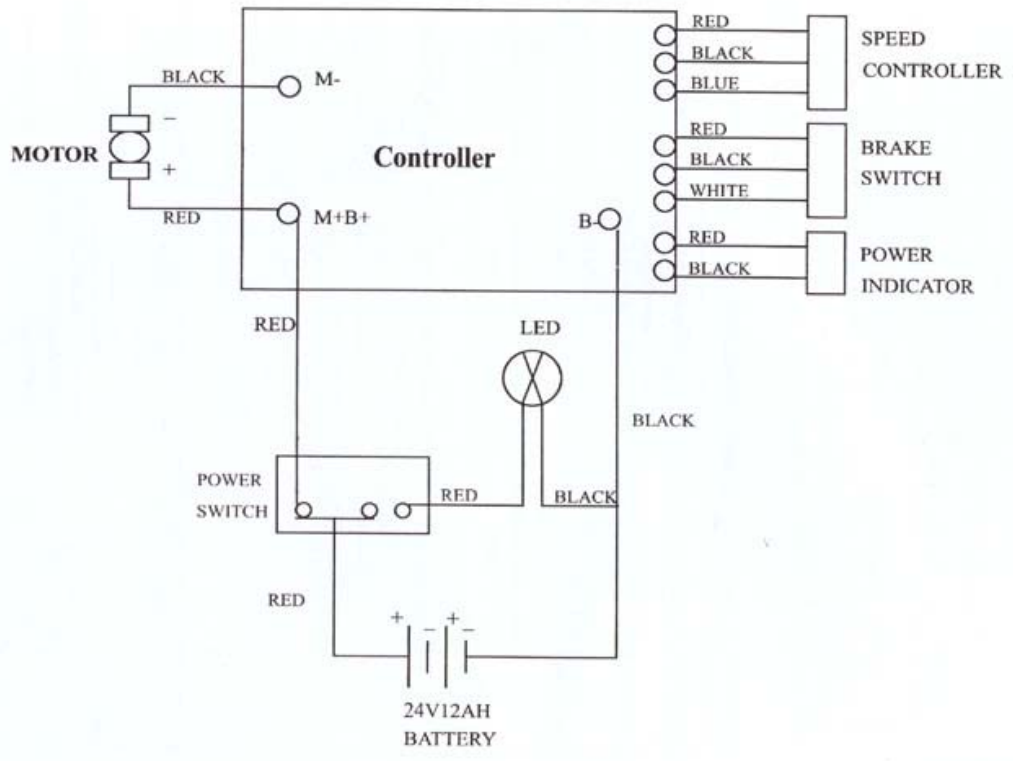
Adjust the Brake

Step	Description
Tighten Brake	Loosen the 10mm nut and pull the cable back and slide the arm forward, once you have the cable in position tighten the 10mm nut.
Loosen Brake	Loosen the 10mm nut and the spring will pull the cable back, once you have the cable in position tighten the 10mm nut.



Troubleshooting Chart

Problem	Cause	Solution
The power light by the on/off switch does not light up when the scooter is turned on?	<ol style="list-style-type: none"> 1. Battery is discharged. 2. Loose connection inside the scooter. 	<ol style="list-style-type: none"> 1. Recharge your scooter. 2. Remove (5) screws that hold the deck on and remove the deck. Visually inspect all wire connections making sure there are no loose wires. Reconnect any loose wire.
The power lights by the on/off switch light up when scooter is turned on still does not work?	<ol style="list-style-type: none"> 1. The Throttle handle is not operating properly. 	<ol style="list-style-type: none"> 1. Replace the Throttle Handle. Call Customer Service at (800) 498-8455 to order a new Throttle.
Clicking noise coming from motor?	<ol style="list-style-type: none"> 1. Brushes in the Motor have come loose. 	<ol style="list-style-type: none"> 1. Replace Motor. Call Customer Service at (800) 498-8455 to order a new 300 W Motor.
When the Brake Lever is squeezed my scooter does not stop?	<ol style="list-style-type: none"> 1. The brakes have not been adjusted properly. 	<ol style="list-style-type: none"> 1. Adjust the Brake by loosening the bolt on the rear brake wheel and pull the cable and retightening the bolt.
My scooter is going slower, and slower, and slower. What is going on?	<ol style="list-style-type: none"> 1. Low Battery 2. Battery is defective 3. Low tire pressure 	<ol style="list-style-type: none"> 1. Recharge your Battery for 6-8 Hours. 2. Replace Battery. Call Customer Service at (800) 498-8455 to order a new 24.0V Battery. 3. Inflate tire to proper pressure, 85 PSI.
My Scooter will not take a charge?	<ol style="list-style-type: none"> 1. The wire from the Charge Plug on the base of the scooter is disconnected. 2. The Scooter is on. 3. Charger and Battery may be defective. 	<ol style="list-style-type: none"> 1. Remove the (5) screws on that hold the deck on and remove the deck. Inspect the wires and reconnect any loose wires. 2. The Scooter must be off. 3. Check the Charger and Battery by using the voltage meter. Replace defective part by calling Customer Service at (800) 498-8455 to order a new part.



YOUR INSURANCE POLICIES MAY NOT PROVIDE COVERAGE FOR ACCIDENTS INVOLVING THE USE OF THIS SCOOTER. TO DETERMINE IF COVERAGE IS PROVIDED, YOU SHOULD CONTACT YOUR INSURANCE COMPANY OR AGENT

Warranty. Rad2Go warrants each new Rad2Go product for thirty (30) days according to the following terms.

This warranty extends to the original retail purchaser only and commences on the date of the original retail purchase.

Any part of the Rad2Go Product manufacture or supplied by Rad2Go and found in the reasonable judgment of Rad2Go to be defective in material or workmanship will be repaired or replaced by an authorized Rad2Go service dealer without charge for parts and labor. The Rad2Go Product including any defective parts must be returned to an authorized service dealer within the warranty period. The expense of delivering the Rad2Go Product to the factory or authorized service dealer for warranty work and the expense of returning it back to the owner after repair or replacement will be paid for by the owner. Rad2Go's responsibility in respects to claims is limited to making the required repairs or replacements and no claim of breach of warranty shall be cause for cancellation or rescission of the contract of sale of any Rad2Go Product. Proof of date of purchase will be required by the dealer to substantiate any warranty claim. An authorized Rad2Go service dealer must perform all warranty work.

This warranty does not cover any Rad2Go Product that has been subject to misuse, neglect, negligence or accident, or that has been operated in any way contrary to the operating instructions as specified in the Rad2Go Owner's Manual. This warranty does not apply to any damage to the Rad2Go Product that is the result of improper maintenance or to any Rad2Go Product that has been altered or modified so as to adversely affect the product's operation, performance or durability or that has been altered or modified so as to change its intended use. This warranty does not extend to repairs made necessary by normal wear or by the use of parts or accessories which are either incompatible with the Rad2Go Product or adversely affect its operation, performance or durability.

Rad2Go reserves the right to change or improve the design of any Ra2Go product without assuming any obligation to modify any product previously manufactured.

ALL IMPLIED WARRANTIES ARE LIMITED DURATION TO THE THIRTY (30) DAYS WARRANTY PERIOD OR THIRTY (30) DAYS FOR PRODUCTS USED FOR ANY COMMERCIAL PURPOSE. ACCORDINGLY, ANY SUCH IMPLIED WARRANTIES INCLUDING MERCHANTABILITY, FITNESS FOR A PARTICULAR PURPOSE, OR OTHERWISE, ARE DISCLAIMED IN THEIR ENTIRETY AFTER THE EXPIRATION OF THE APPROPRIATE thirty days OR THIRTY DAY WARRANTY PERIOD. RAD2GO'S OBLIGATION UNDER THIS WARRANTY IS STRICTLY AND EXCLUSIVELY LIMITED TO THE REPAIR OR REPLACEMENT OF DEFECTIVE PARTS AND RAD2GO DOES NOT ASSUME OR AUTHORIZE ANYONE TO ASSUME FOR THEM ANY OTHER OBLIGATION. SOME STATES DO NOT ALLOW ANY LIMITATIONS ON HOW LONG AN IMPLIED WARRANTY LAST, SO THE ABOVE LIMITATION MAY NOT APPLY TO YOU.

RAD2GO ASSUMES NO RESPONSIBILITY FOR INCIDENTAL, CONSEQUENTIAL OR OTHER DAMAGES INCLUDING, BUT NOT LIMITED TO EXPENSE OF RETURNING THE RAD2GO PRODUCT TO AN AUTHORIZED SERVICE DEALERS AND EXPENSE OF DELIVERING IT BACK TO THE OWNER, MECHANIC'S TRAVEL, TIME, TELEPHONE, OR TELEGRAPH CHARGES, RENTAL OF A LIKE PRODUCT DURING THE TIME WARRANTY SERVICE IS BEING PREFORMED, TRAVEL, LOSS OR DAMAGE TO PERSONAL PROPERTY, LOSS OF REVENUE, LOSS OF USE OF THE PRODUCT, LOSS OF TIME, OR INCONVENIENCE. SOME STATES DO NOT ALLOW THE EXCLUSION OR LIMITATION OF INCIDENTAL OR CONSEQUENTIAL DAMAGES, SO THE ABOVE LIMITATION OR EXCLUSION MAY NOT APPLY TO YOU.

This warranty gives you specific legal rights, and you also have other rights, which vary from state to state. This warranty applies to all Rad2Go Products manufactured by Rad2Go and sold in the United States.

Rad2Go Inc.
U.S. and International Patents and Trademarks Pending
6231 Yarrow Drive
Carlsbad, CA 92122

Rad2Go Electric Scooter Warranty

This Warranty Registration is to be completed by the dealer or customer at the time of purchase and submitted to Rad2Go, Inc., within 10 days of the date of purchase for warranty entitlement.

This warranty is void if the serial number or the safety warning labels on your Rad2Go Electric Scooter are altered, defaced, or removed. Modifications to your Rad2Go Electric Scooter or its components shall void this warranty.

Model: _____ **Serial Number:** _____

Date of Purchase: _____ **Dealer Name:** _____

Purchaser's Name: _____

Address: _____

City: _____ **State:** _____ **Zip Code:** _____

Phone Number: () _____ - _____

Definition: Normal operating conditions require routine care and maintenance by the purchaser of the Rad2Go Electric Scooter. Proper use means the vehicle is to be used only in the manner intended for personal transportation of a single rider with proper safety equipment as described in the Owner's Manual. Rad2Go Electric Scooters are intended for use only on safe, dry, smoothly paved or hard packed surfaces in accordance with local regulations, during daylight hours.

Purchaser's Responsibilities:

1. Read and understand the Owner's Manual and all product warnings before operating your Rad2Go Electric Scooter. Serious injury or death may result from improper operation or failure to observe warnings and safety instructions on any motorized scooter or vehicle.
2. Perform routine care and maintenance of your Rad2Go Electric Scooter as detailed in the Owner's Manual.
3. Modification of the Rad2Go Electric Scooter or its components voids this warranty.
4. The rider is responsible for learning and obeying all federal, state, and local laws governing the operations of Electric Scooters.
5. Always wear a helmet, knee and elbow shields, goggles, appropriate shoes and all other appropriate safety equipment when operating a motorized scooter.
6. The purchaser is responsible for all shipping charges incurred to facilitate repair of the scooter.

Manufacturer's Warranty:

1. Rad2Go, Inc., (HEREINAFTER REFERRED TO AS Rad2Go) expressly warrants that each of its products is free from defects in material and workmanship under normal operating conditions and according to proper use for a period of 30 days from the date of purchase.
2. In express consideration for purchaser's execution of the limited warranty and liability agreement, Rad2Go will repair or replace any part or component other than the tires of the Rad2Go Electric Scooter free of charge to the original purchaser who registers his/her Rad2Go Electric Scooter under the terms of the warrantee programs.
3. This warranty does not apply to tire wear, operation under abnormal circumstances or contrary to the requirements described in the owner's manual or damage to the vehicle brought on by improper use. Racing or competitive use shall void this warranty.
4. Warranty services may be obtained by contracting Rad2Go via telephone at (760) 929-1500, or by mail at 6231 Yarrow Drive, Suite C, Carlsbad, CA 92009; or via email at sales@rad2go.com. State the specific

nature and any circumstances leading to the problem. A service technician will contact you with specific instructions to ensure that you receive the best service for your scooter in the most economical way.

5. **Purchaser herewith acknowledges:**

- a. That Rad2Go assumes not liability for any misuse or improper operation of Rad2Go Electric Scooters or Vehicles.
 - b. Under this limited warranty and liability agreement, Rad2Go shall have no obligation and the purchaser shall have no remedy against Rad2Go and its officers, agents or assigns for any damages, including but not limited to incidental, consequential, special, punitive damages arising form direct or indirect injury to person or property, or any other loss, whether or not occasioned by negligence or otherwise on the part of Rad2Go.
 - c. Purchaser acknowledges that there is an inherent risk in the operation of motorcycle, bicycles, mopeds, scooter, go-carts and all other Rad2Go products, and herewith assumes no risk of any injury arising from operation of any Rad2Go products.
6. Original owner as documented on the dealer warranty registration form will indemnify and hold Rad2Go harmless and take full responsibility for conveying all safety warnings, instructions and limited warranty if the unit is sold lent or otherwise transferred to other persons, and will indemnify Rad2Go from any claims against it for original owner's failure to do so.

THE EXPRESS LIMITED WARRANTY DESCRIBES HEREIN SHALL BE EXCLUSIVE AND THERE IS NO OTHER WARRANTY OR LIABILITY, EXPRESS OR IMPLIED, ARISING BY LAW OR OTHERWISE AND WHETHER OR NOT OCCASIONED BY SELLER'S NEGLIGENCE. THERE IS NO IMPLIED WARRANTY OF MERCHANT ABILITY OR FITNESS FOR A PARTICULAR PURPOSE. THERE ARE NO WARRANTIES, WHICH EXTEND BEYOND THOSE EXPRESSLY STATED HEREIN.

If any provision in this agreement is held by an arbitrator or court of competent jurisdiction to be invalid, void, or unenforceable, the remaining provisions shall nevertheless continue in full force without being impaired or invalidated in any way.

PLEASE ACKNOWLEDGE THAT YOU HAVE READ AND UNDERSTAND EACH WARNING BY PLACING YOUR INITIALS IN THE SPACE PROVIDED BESIDES EACH ITEM.

_____ This devise does not conform to federal motor vehicle safety standards and is not intended for operation on public roads or highways.

_____ Safety helmet, knee, and elbow pads, goggle and gloves, appropriate shoes and bright-colored clothing should be worn while operating a Rad2Go Electric Scooter to reduce the risk of potential injury.

_____ Do not operate the Rad2Go Electric Scooter in traffic or on wet, frozen, oily, pitted or rough surfaces. Avoid potholes, surface cracks, obstacles, and riding at night.

_____ Prior to each use the rider must check the tire pressure, brakes, and battery function.

_____ Never use alcohol or drugs before operating a Rad2Go Electric Scooter. Not only will alcohol slow your reaction time and impair judgment, but in many jurisdiction rad2Go Electric Scooter are subject to the same laws governing driving under the influence as automobiles.

_____ This product should not be used by minors without adult supervision.

_____ High speed, jumping and trick maneuver are dangerous and may result in damage to or loss of control of the Rad2Go Electric Scooter, or other accidents.

_____ Never permit a guest to ride your Rad2Go Electric Scooter without reading the Owner's Manual and all labels.

_____ Rad2Go Electric Scooters should not be used by persons unwilling or unable to take responsibility for their actions.

_____ Read all additional warnings and product instructions in the Owner's Manual and on safety labels before operating the Rad2Go Electric Scooter.

_____ Modifications or alterations to the manufacture's original product or its components void all warranties.

We stand behind our products: All Rad2Go products are fully warranted to be free from defects in both parts and workmanship for a period of 30 days from the time of purchase.

NOTICE:

BY SIGNING BELOW YOU ARE AGREEING TO HAVE ANY DISPUTES ARISING OUT OF THE MATTER INCLUDING IN THE "ARBITRATION OF DISPUTES" PROVISION DECIDED BY NEUTRAL, BINDING ARBITRATION AS PROVIDED BY CALIFORNIA LAW, AND THAT YOU ARE GIVING UP THE RIGHTS YOU MIGHT POSSESS TO HAVE THE DISPUTE LITIGATED IN A COURT OR JURY TRIAL. BY SIGNING BELOW YOU ARE GIVING UP YOUR JUDICIAL RIGHTS TO DISCOVERY AND APPEAL, UNLESS THOSE RIGHTS ARE SPECIFICALLY INCLUDED IN THE "ARBITRATION OF DISPUTES" PROVISION. IF YOU REFUSE TO SUBMIT TO ARBITRATION AFTER AGREEING TO THIS PROVISION, YOU MAY BE COMPELLED TO ARBITRATE UNDER THE AUTHORITY OF THE CALIFORNIA CODE OF CIVIL PROCEDURE. YOUR AGREEMENT TO THIS ARBITRATION PROVISION IS VOLUNTARY.

You should feel free to consult an attorney before signing this limited warranty and liability agreement.

I have read and understood and agree to be bound by the limited warranty and liability agreement above and agree to submit disputes arising out matters included in the "Arbitration of Disputes" provision to neutral arbitration.

X _____ Purchaser's Signature

Date: ____/____/____